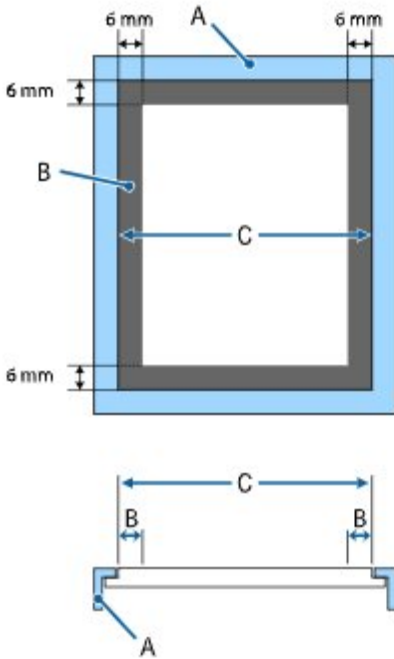


You cannot print on certain areas inside each platen frame or certain areas from the top, bottom, left, or right of the edge of the top plate. The areas indicated by A and B in the following illustration cannot be printed.

L, M, S, and XS size platens

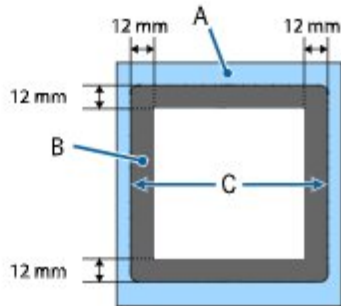
You cannot print on certain areas from the top, bottom, left, or right of the inside edge of the platen frame or the raised section (top plate) inside the platen.



- A: Platen frame
- B: Areas that Cannot be Printed
- C: Top plate

Sleeve platen

You cannot print on certain areas from the raised section inside the platen frame.

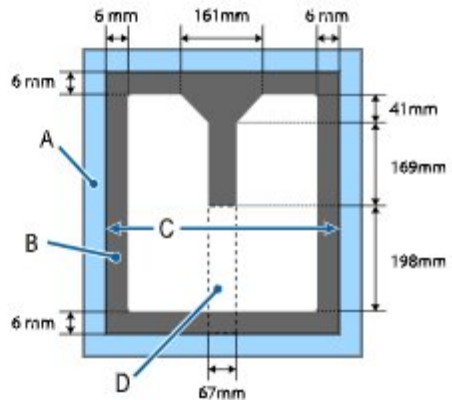


- A: Platen frame
- B: Areas that Cannot be Printed
- C: Top plate

Medium grooved platen

You cannot print on certain areas inside the platen frame and in areas where there is no top plate.

The D section has a square part. When you remove the square part, you cannot print over this section.



- A: Platen frame
- B: Areas that Cannot be Printed
- C: Top section
- D: Square part